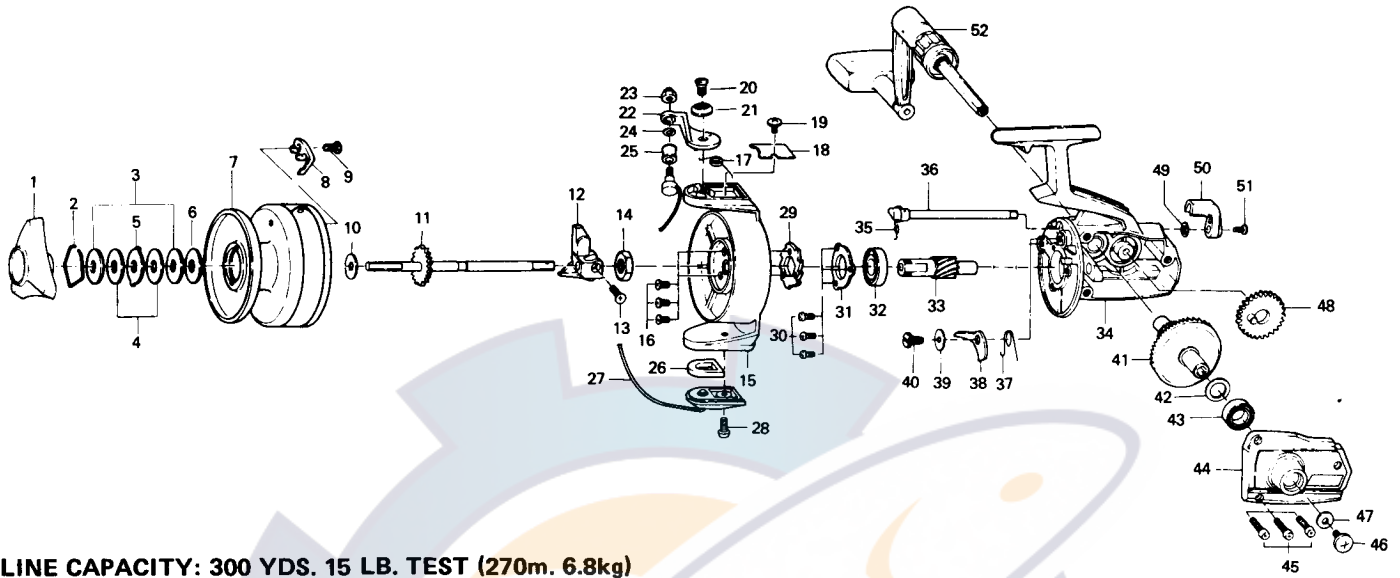


## SPINNING REEL 4000C



**LINE CAPACITY: 300 YDS. 15 LB. TEST (270m. 6.8kg)**

Key No. 2 ~ 9  
6-730-9105 Spool assembly \$13.35

Special part for 4000SC 6-280-7201 Ratchet .65

| Key No. | Parts No.  | Parts Name               | Price Per Piece | Key No. | Parts No.  | Parts Name                     | Price Per Piece |
|---------|------------|--------------------------|-----------------|---------|------------|--------------------------------|-----------------|
| 1       | 6-000-8233 | Drag knob                | \$2.15          | 27      | 6-725-1211 | Bail                           | \$2.95          |
| 2       | 6-170-4511 | Drag washer retainer     | .10             | 28      | 6-951-6401 | Bail holder screw              | .10             |
| 3       | 6-372-7812 | Drag D washer            | .15             | 29      | 6-280-4101 | Ratchet                        | .65             |
| 4       | 6-372-9011 | Disc washer              | .40             | 30      | 6-351-6601 | Ball bearing ret. washer screw | .10             |
| 5       | 6-375-5401 | Drag A washer            | .15             | 31      | 6-634-7011 | Ball bearing ret. washer       | .25             |
| 6       | 6-372-7701 | Drag washer A            | .15             | 32      | 6-635-5001 | Ball bearing                   | 4.25            |
| 7       | 6-730-3514 | Spool                    | N/A             | 33      | 6-401-6701 | Pinion gear                    | 2.15            |
| 8       | 6-030-4411 | Spool click claw         | .15             | 34      | 6-700-1617 | Body                           | 8.50            |
| 9       | 6-351-6102 | Spool click claw screw   | .10             | 35      | 6-142-3511 | Anti-reverse cam spring        | .10             |
| 10      | 6-371-2732 | Spool washer             | .10             | 36      | 6-710-7901 | Anti-reverse cam               | 1.20            |
| 11      | 6-710-2214 | Main shaft               | 1.10            | 37      | 6-142-3421 | Anti-reverse claw spring       | .15             |
| 12      | 6-480-7801 | Oscillating slider       | .40             | 38      | 6-110-9701 | Anti-reverse claw              | .40             |
| 13      | 6-351-8901 | Oscillating slider screw | .10             | 39      | 6-373-2701 | Anti-reverse claw washer       | .10             |
| 14      | 6-340-8301 | Rotor nut                | .20             | 40      | 6-362-4211 | Anti-reverse claw screw        | .25             |
| 15      | 6-201-2222 | Rotor                    | 3.90            | 41      | 6-412-3501 | Drive gear                     | 2.55            |
| 16      | 6-352-0901 | Ratchet screw            | .10             | 42      | 6-371-2820 | Drive gear washer              | .10             |
| 17      | 6-144-2201 | Bail spring              | .10             | 43      | 6-636-6001 | Ball bearing                   | 3.45            |
| 18      | 6-633-0701 | Bail spring cover        | .15             | 44      | 6-705-1614 | Body cover                     | 3.20            |
| 19      | 6-350-1931 | Bail spring cover screw  | .10             | 45      | 6-351-5901 | Body cover screw               | .10             |
| 20      | 6-363-1901 | Arm lever screw          | .30             | 46      | 6-351-3631 | Handle screw                   | .30             |
| 21      | 6-130-3201 | Bail holder cap          | .10             | 47      | 6-371-9521 | Handle washer                  | .10             |
| 22      | 6-230-8121 | Arm lever                | 1.40            | 48      | 6-412-3601 | Oscillating gear               | .35             |
| 23      | 6-340-8501 | Bail nut                 | .40             | 49      | 6-373-2700 | Anti-reverse lever washer      | .10             |
| 24      | 6-373-4501 | Roller collar            | .25             | 50      | 6-540-8321 | Anti-reverse lever             | .45             |
| 25      | 6-250-2801 | Line roller              | .30             | 51      | 6-352-2501 | Anti-reverse lever screw       | .10             |
| 26      | 6-210-3501 | Balancer                 | .35             | 52      | 6-746-8701 | Handle                         | 6.25            |